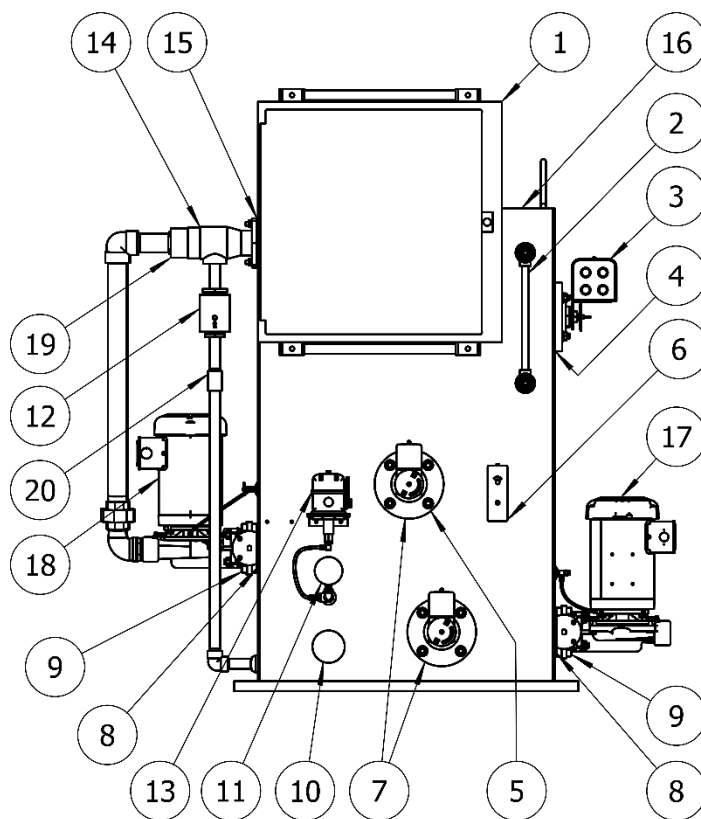


## VARI-VAC®

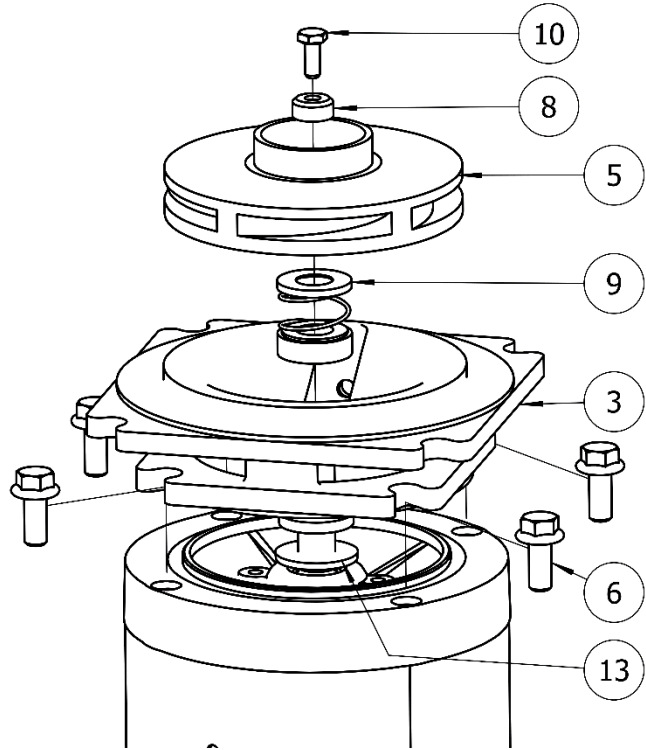
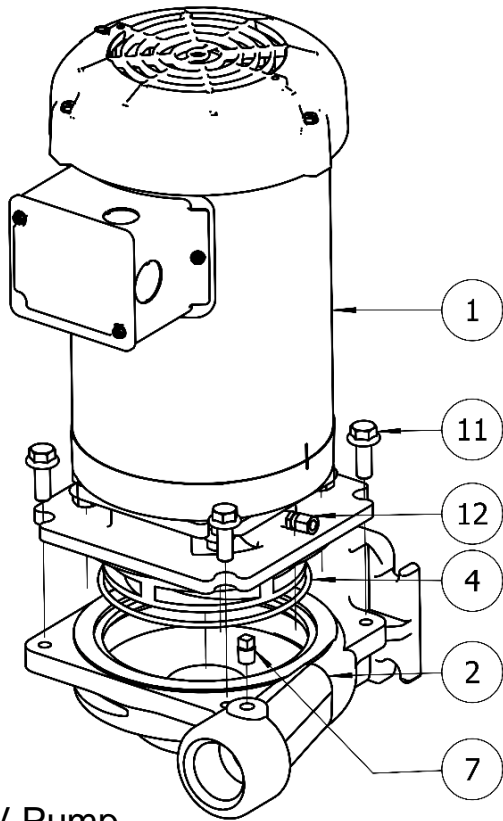
### MODEL C5 STANDARD VACUUM PUMP REPAIR PARTS



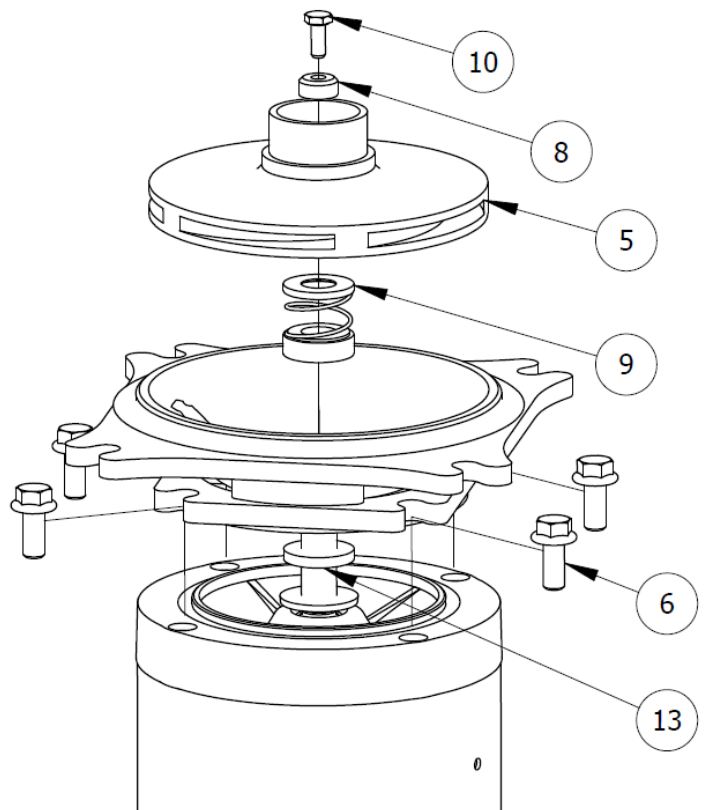
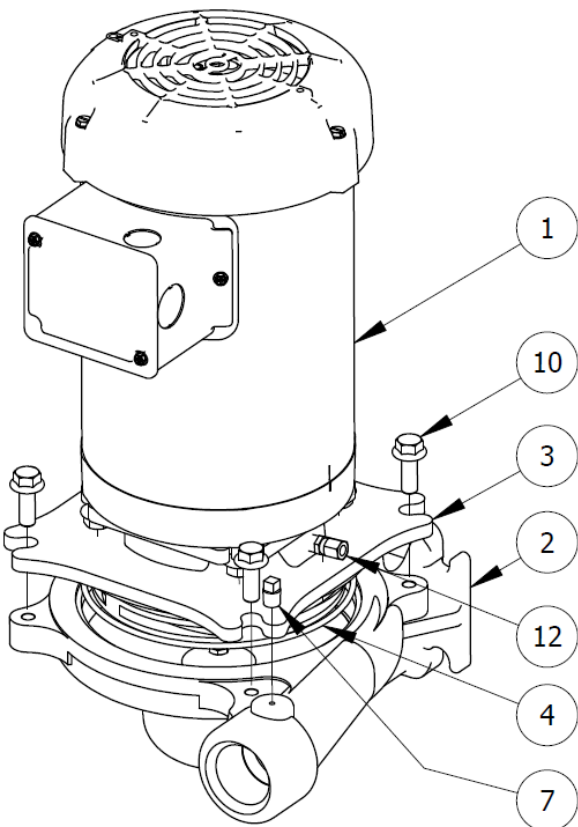
ITEM NO.	DESCRIPTION	QTY REQUIRED SIMPLEX	QTY REQUIRED DUPLEX	STANDARD OR OPTIONAL
1	Control Panel	1	1	STANDARD
2	Gauge Glass	1	1	STANDARD
3	Alternator (Duplex)	0	1	STANDARD
4	Flange Gasket	3	3	STANDARD
5	Low Water Cutoff Switch	1	1	OPTIONAL
6	High Temp Limit Switch	1	1	OPTIONAL
7	Float Switch	1	1	STANDARD
8	Isolation Valve Gasket	2	4	OPTIONAL
9	Isolation Valve	2	4	OPTIONAL
10	Temperature Gauge	1	1	STANDARD
11	Vacuum Gauge	1	1	STANDARD
12	Check Valve	1	2	STANDARD
13	Vacuum Switch	1	1	STANDARD
14	Nozzle Assembly	1	2	STANDARD
15	Nozzle Gasket	1	2	STANDARD
16	Tank	1	1	STANDARD
17	Condensate Pumps	1	2	STANDARD
18	Vacuum Pumps	1	2	STANDARD
19	Orifice Assembly	1	2	STANDARD
20	Compression Coupling	1	2	STANDARD

# MODEL C5 STANDARD PUMP & MOTOR PARTS CHART

## G5V Pump

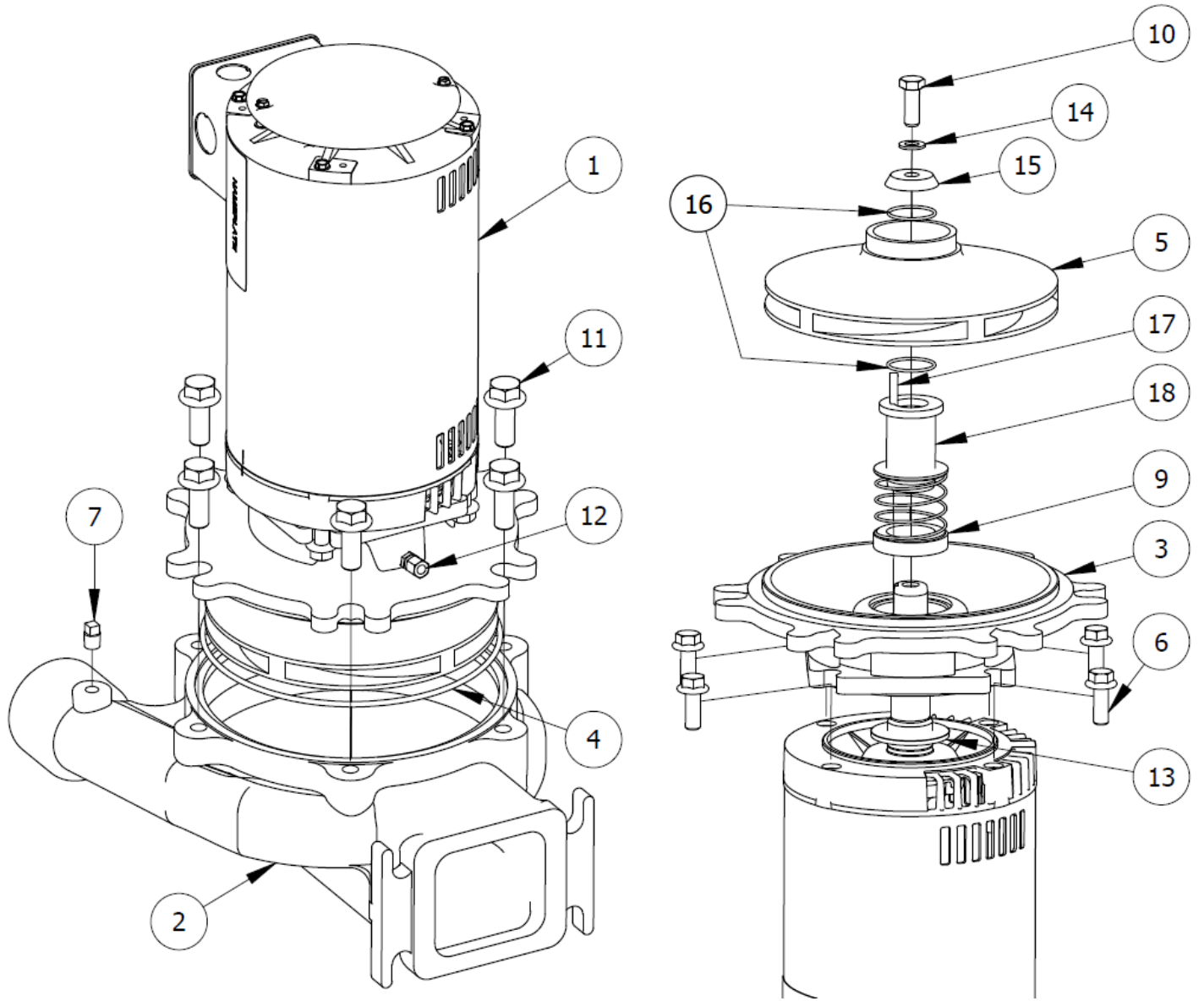


## G6V Pump



# MODEL C5 STANDARD PUMP & MOTOR PARTS CHART (CONT.)

G7V Pump



ITEM NO.	DESCRIPTION	MATERIAL	QTY.
1	MOTOR	STEEL	1
2	VOLUTE	CLASS 30 CAST IRON	1
3	ADAPTER PLATE	CLASS 30 CAST IRON	1
4	SEAL PLATE GASKET	BUNA-N	1
5	IMPELLER	BRASS	1
6	FLANGE BOLT – MOTOR	STEEL 3/8-16 x 7/8	4
7	VOLUTE PLUG	BRASS	1
8	IMPELLER RETAINER	BRASS	1
9	MECHANICAL SEAL	BUNA-N	1
10	IMPELLER BOLT	1/4-28 X 5/8 SS	1
11	FLANGE BOLT – VOLUTE	STEEL 3/8-16 x 1	4
12	BLEEDER FITTING	BRASS	1
13	WATER SLINGER	BUNA-N	1
14	SEALING WASHER	STEEL W/ BUNA-N INSERT	1
15	IMPELLER WASHER	BRASS	1
16	O-RING	BUNA-N	2
17	IMPELLER KEY	STEEL	1
18	MOTOR SHAFT SLEEVE	BRASS	1

# Vent-Rite®

A Swan Group Company

1875 Dewey Avenue Benton Harbor, Michigan 49022

Phone 269.925.2522 Fax 269.925.7888

VARI-VAC®

MANUFACTURING AND DESIGN OF QUALITY HVAC SYSTEMS SINCE 1921

The specifications contained in this bulletin were effective at the time of publishing. We reserve the right to discontinue products at any time or to change specifications or design without incurring any obligation. For most current information, contact your Vent-Rite® representative.